

# Even Feeder Conveyor (Series 1400)

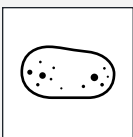
Consistent, Precise Dry Product  
Feeding Flow



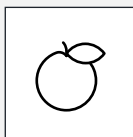
The Even Feeder Conveyor (Series 1400) efficiently and consistently meters and feeds dry product flow into your processing line – optimizing production rates and peeler performance. A five-sided corner hopper, elevated conveyor and effective belt spacing ensure product evenly flows from the hopper, spreads in a single layer across the full width of the conveyor then evenly feeds into processing equipment. Its strong, stainless steel construction and sanitary design ensure long-life and fast, thorough cleaning.

- Standard hourly flow rates from 600 to 5,000 pounds (270-2275 kg). Higher rates available based on conveyor width.
- Unique design with five-sided corners and round hopper outlet ensures consistent product flow
- Rubber discharge chute minimizes product damage and provides a quieter operation
- First-in, first-out product flow and completely emptying hopper prevents contamination and spoilage
- Sanitary design with rounded and sloped surfaces eliminates contamination and allows for quick and thorough cleaning

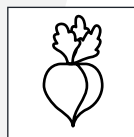
## Common Food Applications



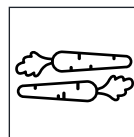
Potatoes



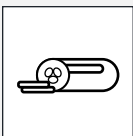
Apples



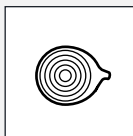
Beets



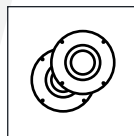
Carrots



Cucumbers



Onions



Root Vegetables

# Even Feeder Conveyor (Series 1400)

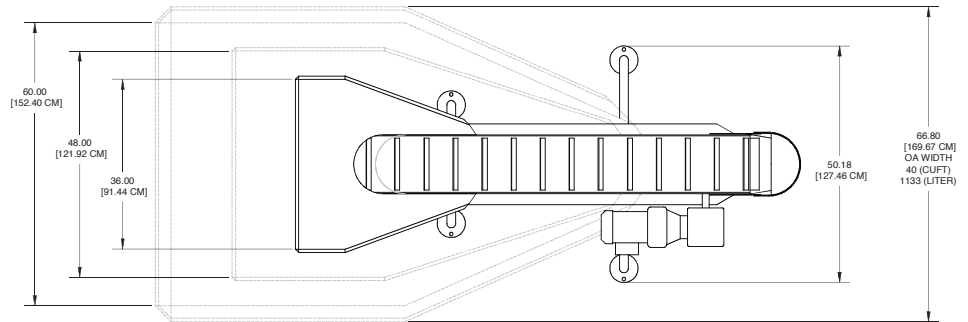
## Specifications

Discharge Height: 61.2-144”  
(155.5-365.7 cm)

Electrical: 230-460 VAC, 60 Hz,  
3 Phase (other voltages available)

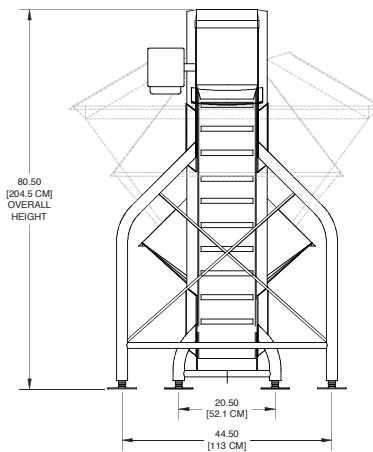
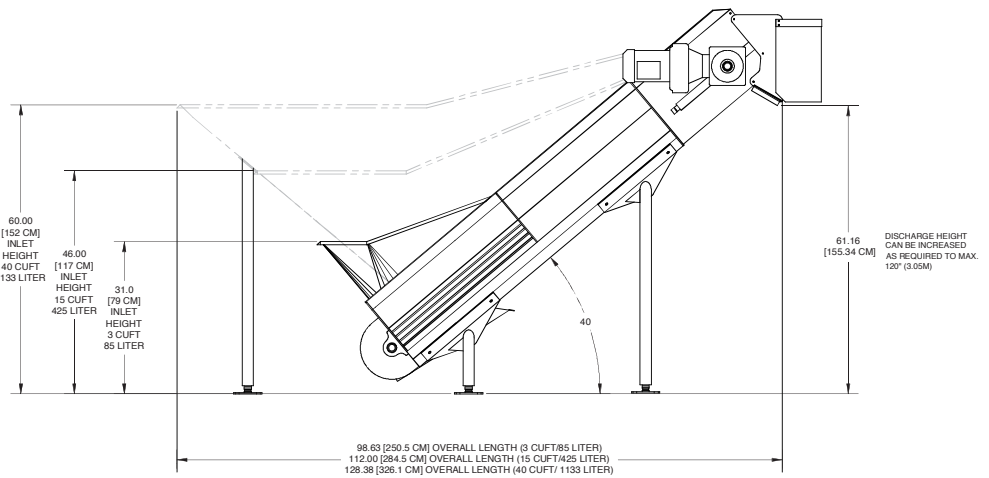
Motor: 1-2 HP (.74-1.5 kW)

Weight: 800 lbs. (363 kg)



## Features

- Three hopper sizes available:  
3 cu. ft. (.08 m<sup>3</sup>); 15 cu. ft. (.42 m<sup>3</sup>);  
40 cu. ft. (1.13 m<sup>3</sup>)
- Rubber discharge chute



E 8.17v4

## Contact Us

Vanmark is proud to provide top quality equipment, exceptional service and peace of mind worldwide for the potato and produce processing industries. Contact us for more information and to custom-fit the Even Feeder Conveyor (Series 1400) for your specific application.



*To feed our growing world - Together*

Phone: +1 740-201-0004

Email: [sales@vanmark.com](mailto:sales@vanmark.com)

[vanmark.com](http://vanmark.com)