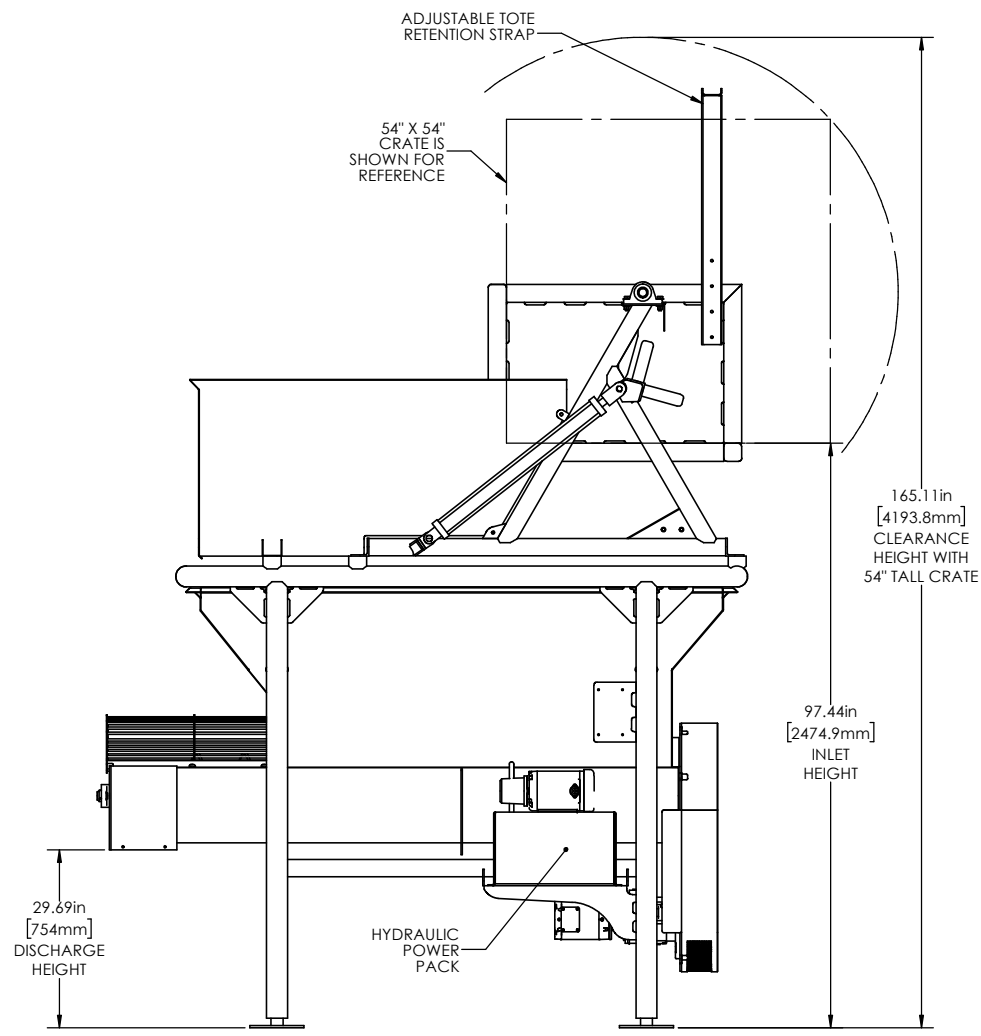
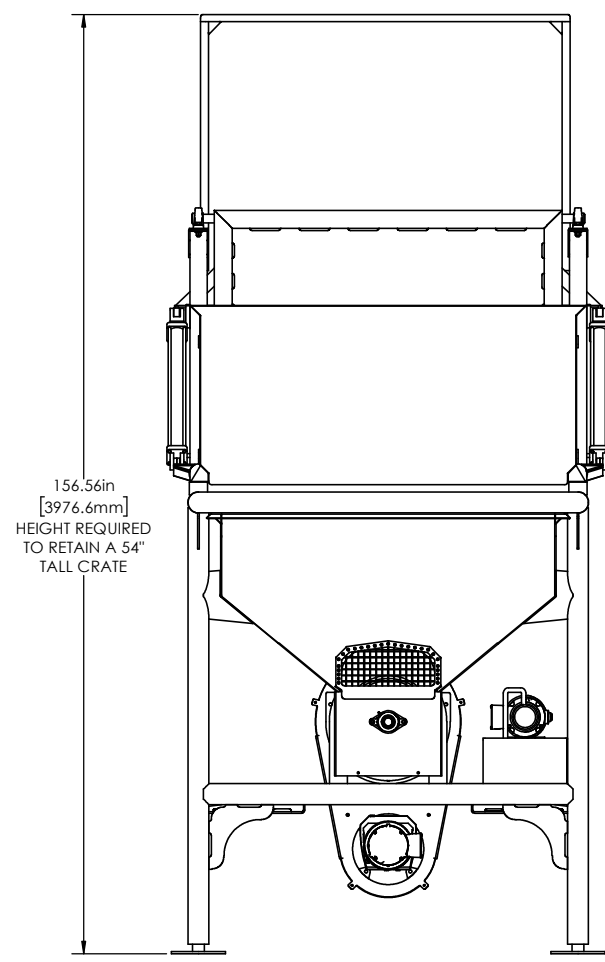
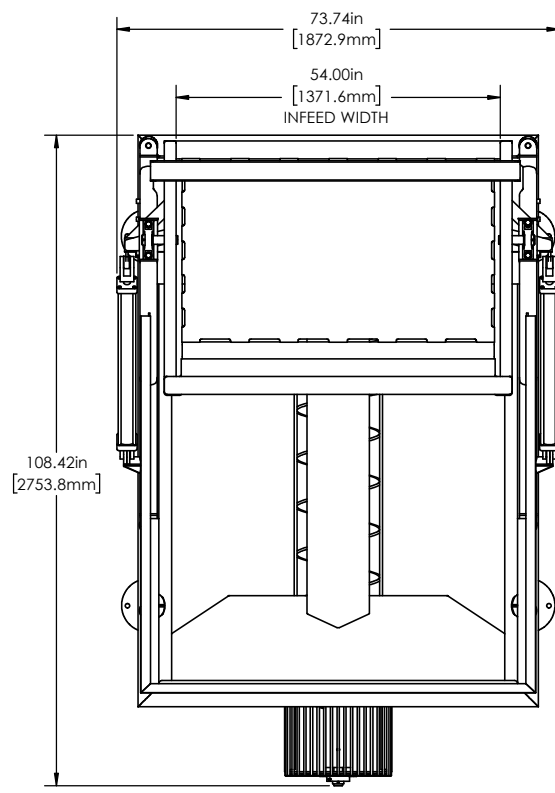



REVISIONS				
REV.	DESCRIPTION	ECN	DATE	BY



MATERIAL:		REFERENCE:	
APPROVALS	DATE		
DRAWN: XXXX	XX/XX/XX		
CHECKED: --			
DRAWING IS SOLE PROPERTY OF VANMARK EQUIPMENT AND MAY NOT BE REPRODUCED WITHOUT PERMISSION FROM VANMARK EQUIPMENT.			
UNLESS OTHERWISE SPECIFIED DIMENSIONS ARE IN INCHES TOLERANCES ARE: FRACTIONS DECIMALS ANGLES ±1/16 X.XX ±0.03 ±0.1 X.XXX ±0.015			
DO NOT SCALE DRAWING		SCALE: 1:24	SHEET 1 OF 1



VANMARK EQUIPMENT, LLC.
300 INDUSTRIAL PARKWAY - CRESTON, IA - 50801
PH: 740-201-0004 www.vanmarkequipment.com

DESCRIPTION: DUMPER/HOPPER		
SIZE D	PROD. CODE	DRAWING NUMBER 01205-0011