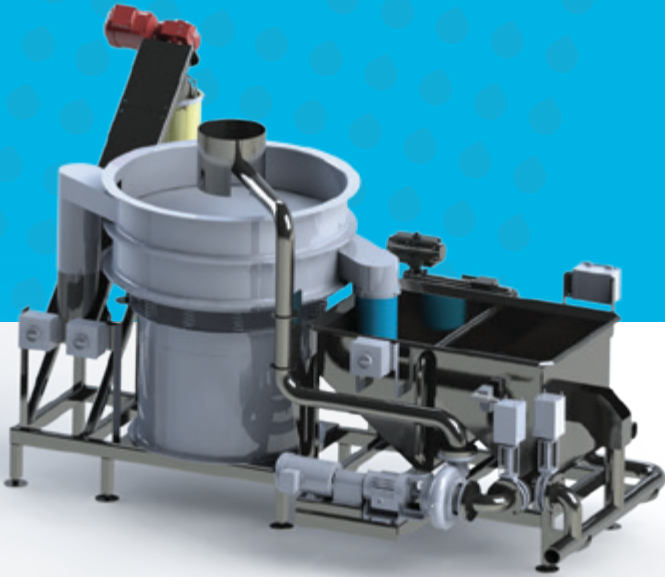


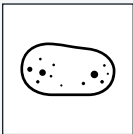
# Water Reclamation System

Significantly Reduce Water Usage through Recirculation

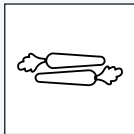


The Water Reclamation System recirculates process water from Vanmark's abrasive peelers – reducing water usage up to 90%. The skid-mounted system removes peel waste from process water, collecting it to be sold, and recirculates filtered water back into the peeler in a closed loop. It can integrate with and support up to three machines, with each now operating on less than 1.5 GPM (5.7 l/min) of fresh water input.

## Common Food Applications



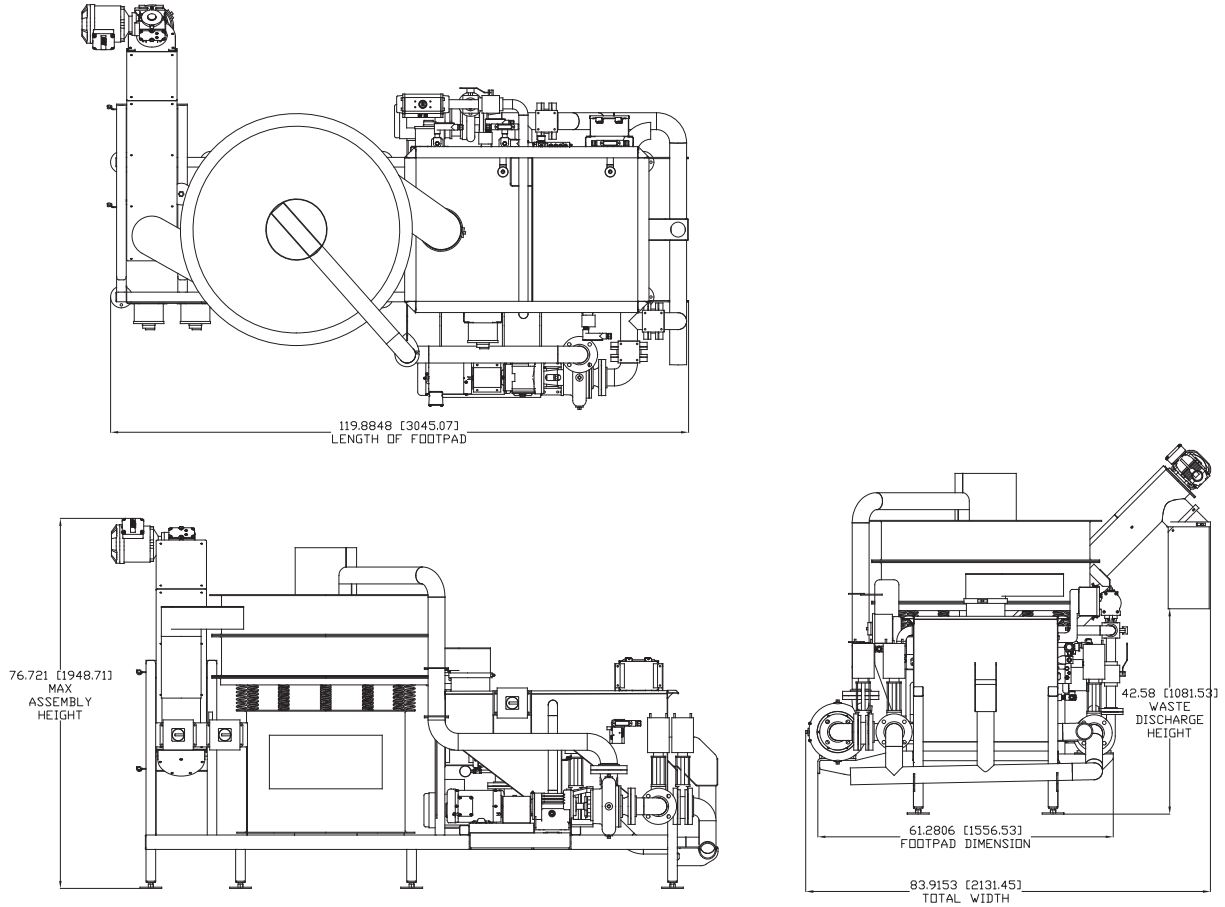
Potatoes



Carrots

- Clean and recirculate peeler water in closed loop to reduce usage up to 90%
- Integrate with and support up to three Peeler/ Scrubber/Washer machines
- Skid-mounted for easy installation and start-up
- Flow managed through meters at each machine and progressive overflow design for self-balance
- Sanitary design allows for quick and thorough cleaning

# Water Reclamation System



This drawing contains confidential information is the exclusive property of Vanmark Equipment, LLC. Neither this document, nor its contents, are to be used, reproduced or disclosed in whole or in part without the express written permission of Vanmark. Copyright 2017, Vanmark Equipment, LLC.

## Specifications

Main Filter Screen: 48" (1219 mm) diameter x 106 micron

Motor: 15 amps, 460 VAC, 3 phase

Weight: 2000 lbs. (900 kg)

Solids: Collects approximately 1.5% of total product flow rate

## Features

- Spray bar conversion assemblies
- Secondary waste separating auger
- Automated flush and restart modes
- Fresh water flow meter
- NEMA 4X SS enclosure

## Options

- Integrated control panel
- Lift pump for peelers with drain port lower than 56" (1422 mm)

1.20v1

## Contact Us

Vanmark is proud to provide top quality equipment, exceptional service and peace of mind worldwide for the potato and produce processing industries. Contact us for more information and to custom-fit the Water Reclamation System for your specific application.



To feed our growing world - Together

Email: [sales@vanmark.com](mailto:sales@vanmark.com)

[vanmark.com](http://vanmark.com)